

**ТАБЛИЦА 1 ОБЕСПЕЧИВАЕТ ЗАКАЗЧИК**

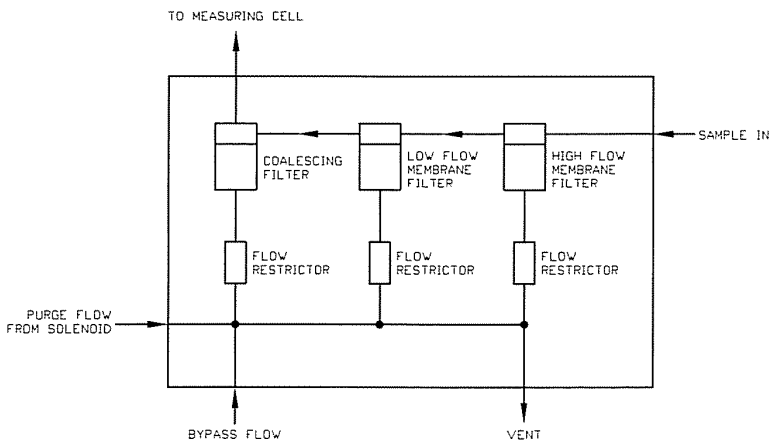
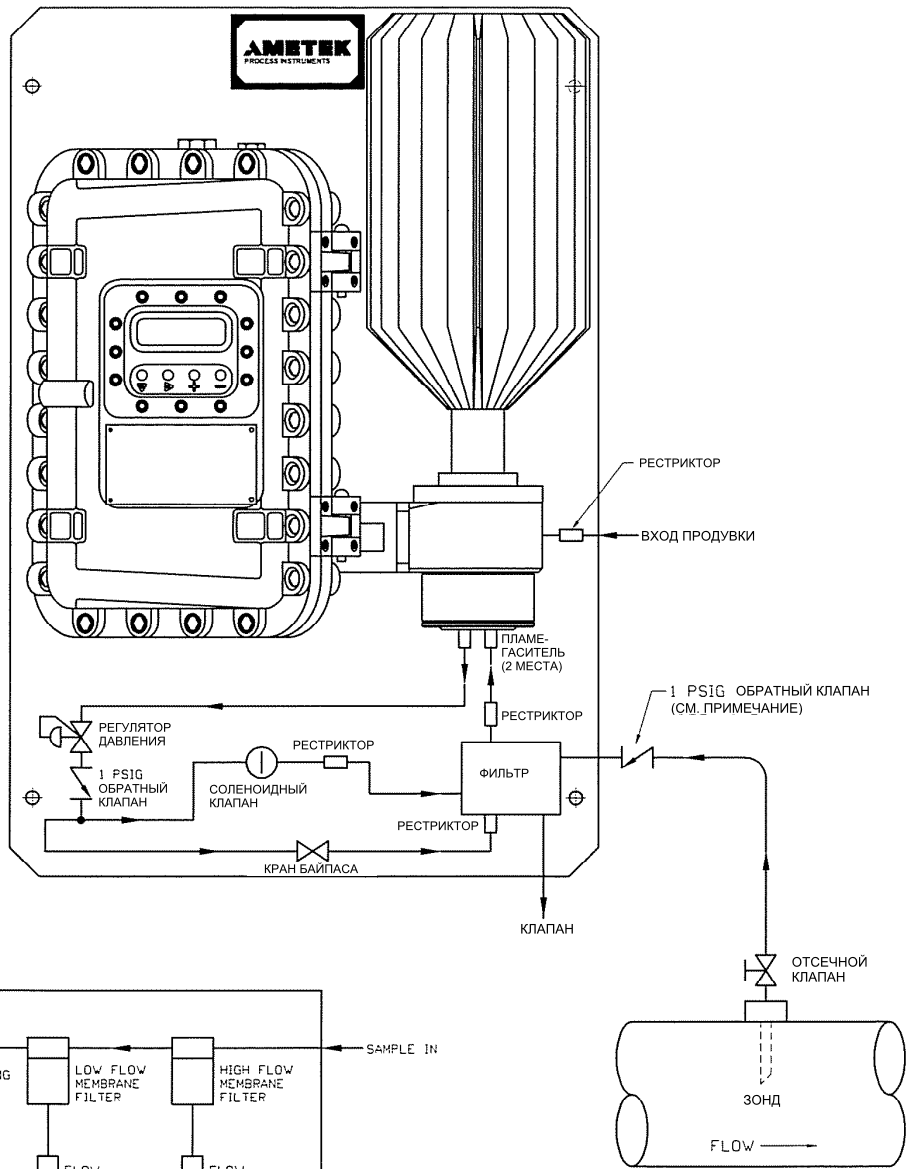
- L1  ПОСТАВКА И УСТАНОВКА ЛИНИИ ПРОБЫ ①
- L2  ПОСТАВКА И УСТАНОВКА ЛИНИИ СБРОСА ①
- E1  ПОСТАВКА БАЛЛОНА РЕДУКТОРА И ЛИНИИ ДЛЯ ПРОДУВНОЧНОГО ГАЗА (СТАНДАРТНЫЙ БАЛЛОН С АЗОТОМ НА 400 – 500 ДНЕЙ) ⑤
- C1  МОНТАЖ СИГНАЛЬНОГО КАБЕЛЯ ③ ④
- V1  УСТАНОВКА ШКАФА ③ ④
- P1  ЭЛЕКТРОПИТАНИЕ 240 В, 50 Гц, 675 Вт ②

- ① 1/4" SWAGelok
- ② 1/2" NPT (НОРМАЛЬНАЯ ТРУБНАЯ)
- ③ см. СХЕМУ ЭЛЕКТРОПОДКЛЮЧЕНИЙ
- ④ 3/4" NPT (НОРМАЛЬНАЯ ТРУБНАЯ)
- ⑤ 1/8" SWAGelok, ПРОДУВКА КОРПУСА ИЗМЕРИТЕЛЬНОГО БЛОКА
- ⑥ МАКС. ТЕМПЕРАТУРА ТОЧКИ РОСЫ ДОЛЖНА БЫТЬ НА 5 °С НИЖЕ МИН. ТЕМПЕРАТУРЫ ОКР. ВОЗДУХА. ЛИНИЯ ПРОБЫ ТЕПЛОИЗОЛИРОВАННАЯ С ОБОТРЕВОМ

**ТАБЛИЦА 2 ДОПОЛНИТЕЛЬНОЕ ОБОРУДОВАНИЕ**

- HTR  НАГРЕВАТЕЛЬ 400 Вт
- PTV  КЛЕММНАЯ КОРОБКА

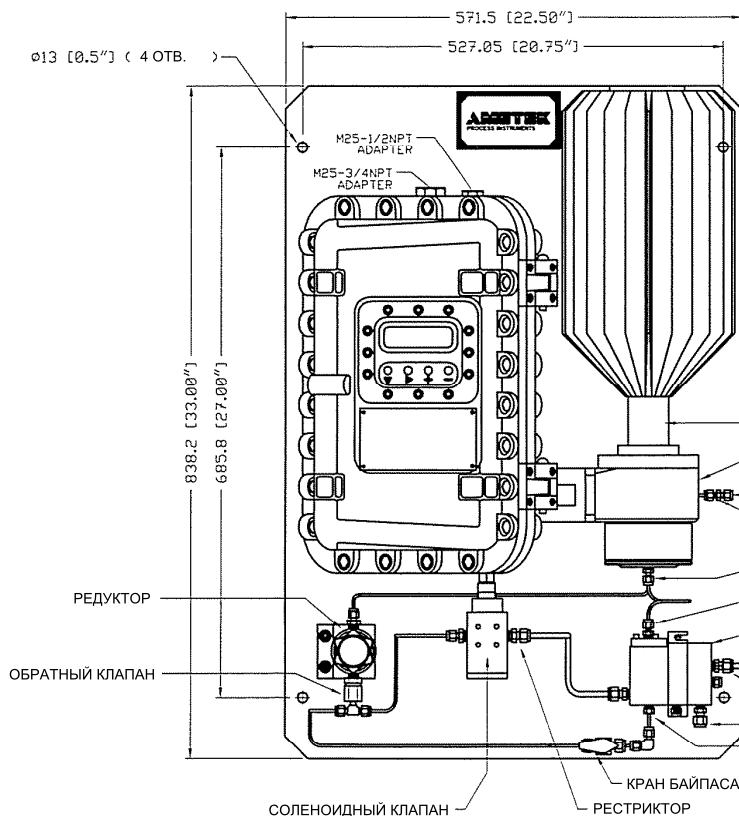
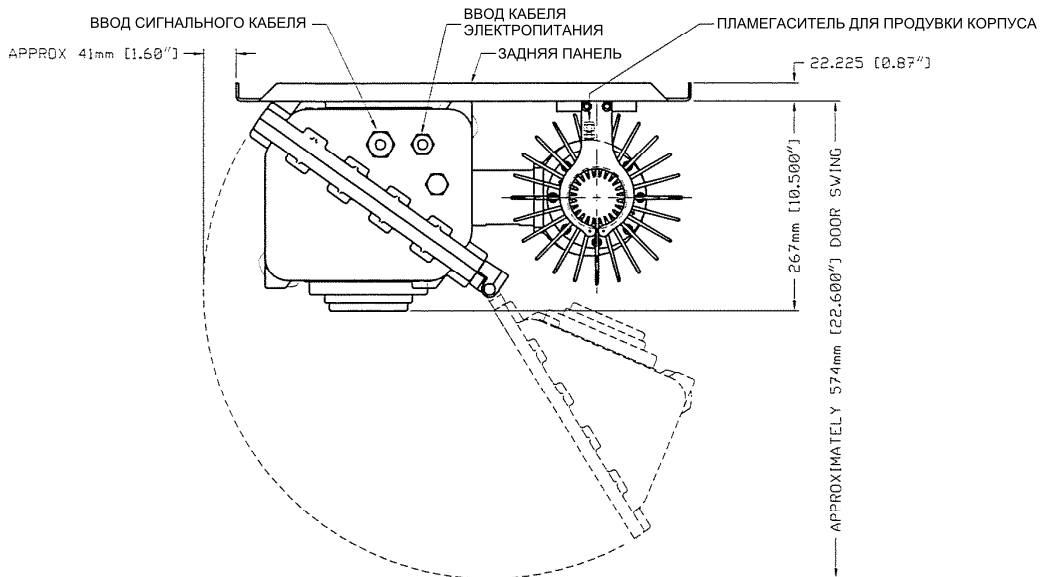
|                  |  |                |          |   |    |
|------------------|--|----------------|----------|---|----|
| REV              | A  | ORIGINAL ISSUE | 05/10/31 | DATE  | AT |
| DESCRIPTION      | ARTVIK МОДЕЛЬ 241CE II БЛОК СХЕМА  |                |          |   |    |
| WARNING:         | ANY DEVIATION FROM THE RECOMMENDED INSTALLATION PRACTICES SHOWN ON THIS SALES ORDER MUST BE APPROVED IN WRITING BY AMETEK PEAT DIVISION, SUCH DEVIATION MAY VOID SYSTEMS WARRANTY. |                |          |   |    |
| DRAWN:           | AT   | 05/10/31       | DATE     | DRAWN   |    |
| APPROVED:        | <i>[Signature]</i>   | 05-31/05       | DATE     | AMETEK PROCESS & ANALYTICAL INSTRUMENTS DIV. 2876 SUNRISE WAY NE. CALGARY, AB, CANADA T1Y 7H9 |    |
| Tag No:          | N/A  |                |          |   |    |
| P.O. No:         | 2309182605   |                |          |   |    |
| SCALE:           | NONE   |                |          |   |    |
| FOR INFORMATION  | <input type="checkbox"/>   |                |          |   |    |
| FOR APPROVAL     | <input checked="" type="checkbox"/>  |                |          |   |    |
| FINAL "AS-BUILT" | <input type="checkbox"/>   |                |          |   |    |
| PRODUCT LINE     | WESTERN RESEARCH   |                |          |   |    |
| SIZE             | A  |                |          |   |    |
| DRAWING NO.      | WX-9751-1-1  |                |          |   |    |
| REV.             | A  |                |          |   |    |



**МЕМБРАНЫЙ ФИЛЬТР**

ПРИМЕЧАНИЕ: УДАЛИТЬ КЛАПАН ПРИ ПРОВЕДЕНИИ ПОВЕРКИ

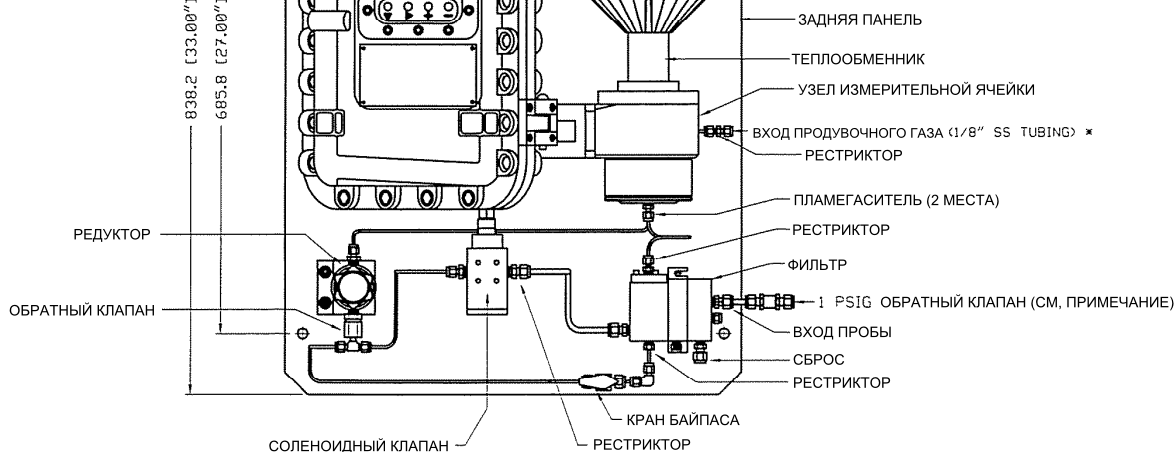
|  |                |   |  |             |
|--|----------------|---|--|-------------|
| A  | ORIGINAL ISSUE |   | 05/10/31   | AT          |
| REV  | DESCRIPTION    |   | DATE   | DRAWN       |
| <b>WARNING:</b> ANY DEVIATION FROM THE RECOMMENDED INSTALLATION PRACTICES SHOWN ON THIS SALES ORDER MUST BE APPROVED IN WRITING BY AMETEK P&AI DIVISION, SUCH DEVIATION MAY VOID SYSTEMS WARRANTY. |                |   |  |             |
| DRAWN:   | AT             | 05/10/31                                | AMETEK<br>PROCESS & ANALYTICAL INSTRUMENTS DIV.<br>2876 SUNRIDGE WAY N.E.<br>CALGARY, AB, CANADA T1Y 7H9 |             |
| APPROVED:  | <i>ko</i>      | <i>oct 31/05</i>                        |  |             |
| Tag No: N/A  |                | ARTVIK/ МОДЕЛЬ 241CE II                 |  |             |
| P.O. No: 2309182605  |                | ГАЗОВАЯ СХЕМА                           |  |             |
| SCALE: NONE  |                | SIZE DRAWING NO.                        |  |             |
| <input checked="" type="checkbox"/> FOR INFORMATION<br><input type="checkbox"/> FOR APPROVAL<br><input type="checkbox"/> FINAL "AS-BUILT"  |                | PRODUCT LINE<br><b>WESTERN RESEARCH</b> | A  | WX-9751-1-2 |
| PRINTED: 05/10/31  |                |   |  | REV.<br>A   |



NOTE: CHECK VALVE MUST BE REMOVED FOR PROPANE VERIFICATION GAS TEST.

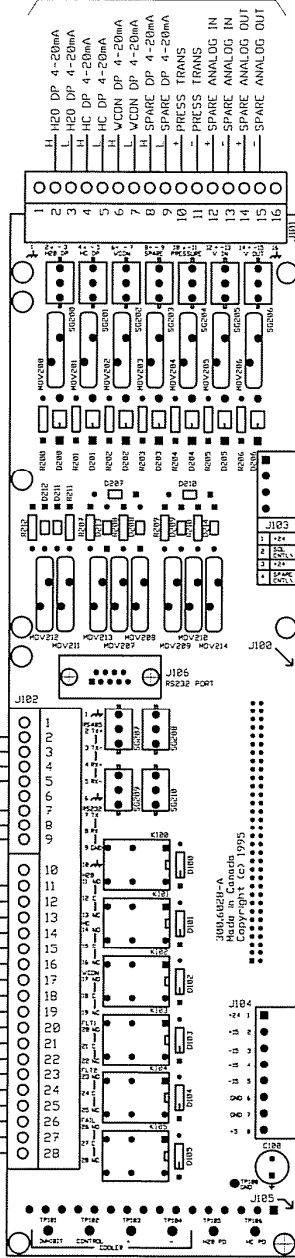
\* CUSTOMER TO PURGE COOLER HOUSING WITH INSTRUMENT AIR/DRY GAS SUPPLY. H<sub>2</sub>O DEWPOINT LESS THAN -40°C (-40°F) & FLOW RATE LESS THAN 15 l/d (0.53CFD).

CAUTION: PURGE GAS PRESSURE UPSTREAM OF THE FLOW RESTRICTOR CANNOT EXCEED ATMOSPHERIC PRESSURE BY MORE THAN 1 psi (70mbar).

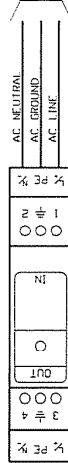


|  |                |   |   |        |
|--|----------------|---|---|--------|
| A  | ORIGINAL ISSUE |   | 05/10/31  | AT     |
| REV  | DESCRIPTION    |   | DATE  | DRAWN  |
| <b>WARNING:</b> ANY DEVIATION FROM THE RECOMMENDED INSTALLATION PRACTICES SHOWN ON THIS SALES ORDER MUST BE APPROVED IN WRITING BY AMETEK P&AI DIVISION, SUCH DEVIATION MAY VOID SYSTEMS WARRANTY. |                |   |   |        |
| DRAWN:   | AT             | 05/10/31                                | <br>AMETEK<br>PROCESS & ANALYTICAL INSTRUMENTS DIV.<br>2876 SUNRIDGE WAY NE.<br>CALGARY, AB, CANADA T1Y 7H9 |        |
| APPROVED:  | <i>de</i>      | <i>05/31/05</i>                         |   |        |
| Tag No: N/A  |                |   |   |        |
| P.O. No: 2309102605  |                |   |   |        |
| SCALE: NONE  |                |   |   |        |
| <input checked="" type="checkbox"/> FOR INFORMATION<br><input type="checkbox"/> FOR APPROVAL<br><input type="checkbox"/> FINAL "AS-BUILT"  |                | PRODUCT LINE<br><b>WESTERN RESEARCH</b> |   |        |
| PRINTED: 05/10/31  |                | ARTVIK/ МОДЕЛЬ 241CE II<br>ПОЛЕВОЙ БЛОК |   | REV. A |
|  |                | SIZE A DRAWING NO. WX-9751-1-3          |   |        |

ПОДКЛЮЧЕНИЯ ЗАКАЗЧИКА



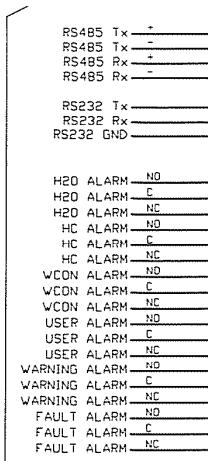
ПОДКЛЮЧЕНИЕ ЭЛЕКТРОПИТАНИЯ



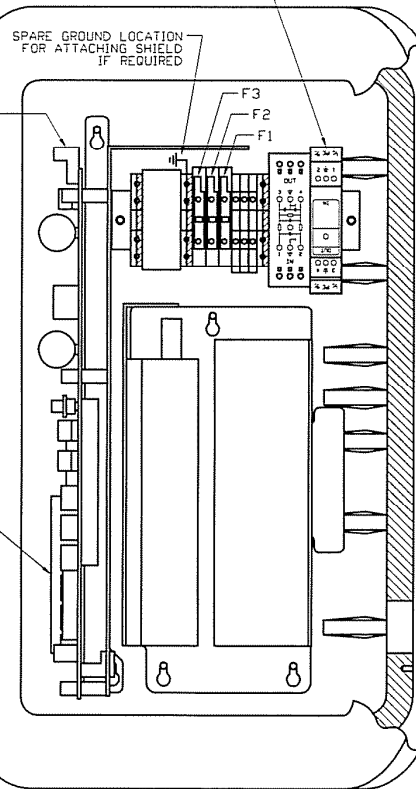
FUSE RATINGS

| DEVICE         | FUSE | 120VAC | 240VAC |
|----------------|------|--------|--------|
| SOLENOID       | F1   | 1A     | 1A     |
| LOGIC PWR SUP  | F2   | 1A     | 1A     |
| COOLER PWR SUP | F3   | 6.3A   | 6.3A   |

CUSTOMER CONNECTIONS



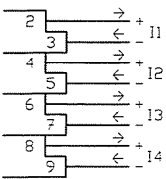
CUSTOMER CONNECTIONS (SEE DETAIL)



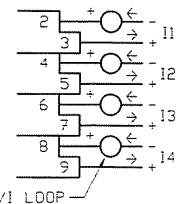
CUSTOMER CONNECTIONS (SEE DETAIL)

CUSTOMER CONNECTIONS (SEE DETAIL)

АКТИВНЫЙ ТОКОВЫЙ ВЫХОД



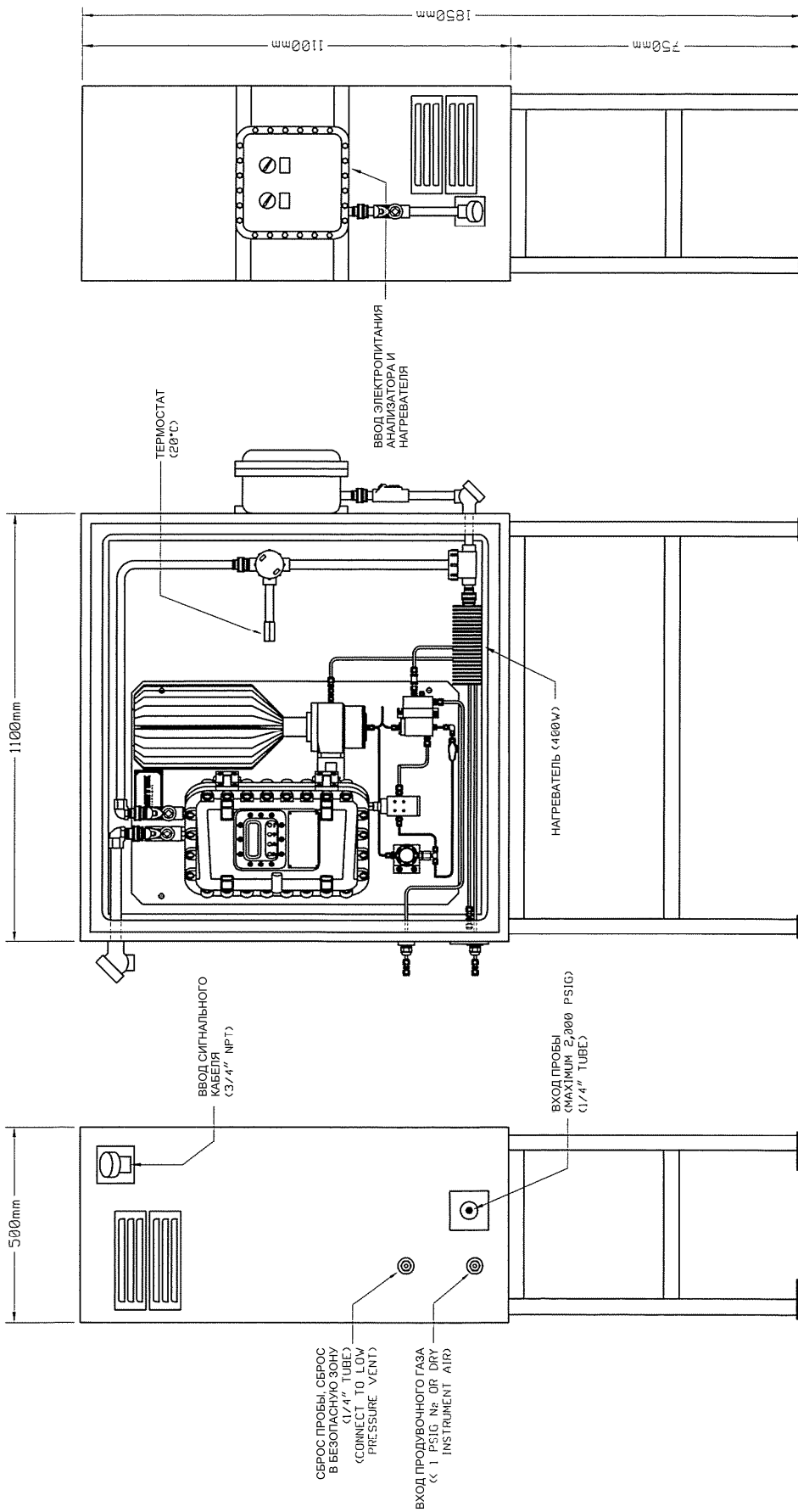
ПАССИВНЫЙ ТОКОВЫЙ ВЫХОД



PRINTED: 05/10/31

|  |                    |  |   |
|--|--------------------|--|---|
| A  | ORIGINAL ISSUE     | 05/10/31   | AT  |
| REV  | DESCRIPTION        | DATE   | DRAWN   |
| <p><b>WARNING:</b> ANY DEVIATION FROM THE RECOMMENDED INSTALLATION PRACTICES SHOWN ON THIS SALES ORDER MUST BE APPROVED IN WRITING BY AMETEK P&amp;A DIVISION, SUCH DEVIATION MAY VOID SYSTEMS WARRANTY.</p> |                    |  |   |
| DRAWN:   | AT                 | 05/10/31   | <p>AMETEK<br/>PROCESS &amp; ANALYTICAL INSTRUMENTS DIV.<br/>2876 SUNRIDGE WAY NE.<br/>CALGARY, AB, CANADA T1Y 7H9</p> |
| APPROVED:  | <i>[Signature]</i> | 05/31/05   |   |
| Tag No: N/A<br>P.O. No: 2309182605<br>SCALE: NONE  |                    | ARTVIK/ МОДЕЛЬ 241CE II<br>СХЕМА ВНЕШНИХ ПОДКЛЮЧЕНИЙ |   |
| <input checked="" type="checkbox"/> FOR INFORMATION<br><input type="checkbox"/> FOR APPROVAL<br><input type="checkbox"/> FINAL "AS-BUILT"  |                    | PRODUCT LINE<br><b>WESTERN RESEARCH</b>              |   |
| SIZE   | DRAWING NO.        | REV.   |   |
| A  | WX-9751-1-4        | A  |   |

I-15-156-XA



|  |            |  |   |    |      |       |
|--|------------|--|---|----|------|-------|
| REV  | A          | ORIGINAL ISSUE   | 05/10/31  | AT | DATE | DRAWN |
| <p>WARNING: ANY DEVIATION FROM THE RECOMMENDED INSTALLATION PRACTICES SHOWN ON THIS SALES ORDER MUST BE APPROVED IN WRITING BY AMETEK PEAT DIVISION, SUCH DEVIATION MAY VOID SYSTEMS WARRANTY.</p> |            |  |   |    |      |       |
| DRAWN:   | AT         | 05/10/31   | <p><b>AMETEK</b><br/>         PROCESS &amp; ANALYTICAL INSTRUMENTS DIV.<br/>         2876 SUNRISE WAY N.E.<br/>         CALGARY, AB, CANADA T1Y 7H9</p> |    |      |       |
| APPROVED:  | <i>bb</i>  | <i>05/31/05</i>  | <p>ARTNIK МОДЕЛЬ 241CE II<br/>         АНАЛИЗАТОР В ШКАФУ</p>   |    |      |       |
| Tag No:  | N/A        | <p>SIZE A DRAWING NO. WX-9751-S1-1</p>   |   |    |      |       |
| P.O. No:   | 2309182605 | <p>PRODUCT LINE<br/> <b>WESTERN RESEARCH</b></p>   |   |    |      |       |
| SCALE:   | NONE       | <p><input type="checkbox"/> FOR INFORMATION<br/> <input checked="" type="checkbox"/> FOR APPROVAL<br/> <input type="checkbox"/> FINAL "AS-BUILT"</p> |   |    |      |       |

PRINTED: 2005/10/31

REV. A